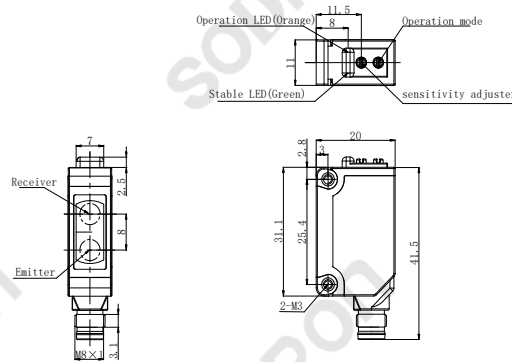




Dimensions



Model

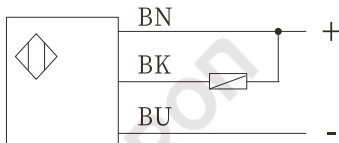
PF31V-D01BNS-E1
PF31V-D01BPS-E1

Technical parameters

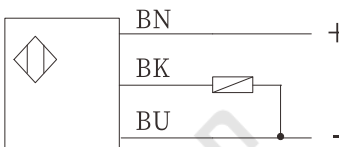
Detection method	Diffuse Reflective Type
Model	PF31V-D01BNS-E1 PF31V-D01BPS-E1
Sensing distance	1m(Adjustable Distance)
Standard target	200*200 Reflectivity 90% White Cardboard
Output mode	Light ON/Dark ON adjustable
Light source	Infrared light 850nm
Supply power	DC 12~24V ±10% impulse(P-P) < 10%(DC10-30V)
Residual voltage	2V max(Load current ≤ 100mA)
Current consumption	< 20mA
Load current	≤ 100mA

Connection

NPN

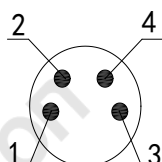


PNP



Circuit protection	Reverse connection protection, Short circuit protection
Response time	< 1ms
Indicator light	Output: OrangeLED Stable: Green LED
Connection	Connector Type (M8 4-pin Male Plug)
Ambient temperature	Work: -25~+55°C; Store: -30~+70°C (No dew condensation or icing allowed)
Ambient humidity	Work: 35~85%RH, Store: 35~95%RH, (No dew condensation)
Ambient illumination	Sunlight: 10,000Lx Lamplight: 3,000Lx
Withstand voltage	1000VAC, 50/60Hz, 1min, between current-carrying parts and case
Insulation resistance	> 20MΩ (DC500V megger) between current-carrying parts and case
Anti-vibration	10~55Hz double-amplitude 1.5mmX,Y,Z 2h
Impact resistance	500m/s ² X,Y,Z, directions for 3 times
Protection degree	IEC IP67
Material	Housing: PBT Lens: PMMA

Terminal Serial Number and Function Table



Terminal No.	Technical parameters
1	+V
2	No connection
3	0V
4	output



<http://www.sodron.com.cn>